

キャップ

HL=HL 4=#400 6=#600 未=未研磨

キャップ SUS304

■単位：mm

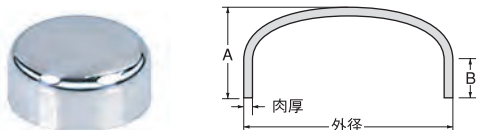
| 外径×肉厚 | サイズ | | 研磨 | | |
|-------------|------|------|----|----|---|
| | A | B | 未 | HL | 6 |
| 19 × 1.5 | 10.0 | 4.0 | 未 | HL | 6 |
| 22 × 1.5 | 12.0 | 5.5 | 未 | HL | 6 |
| 25 × 1.5 | 13.0 | 6.5 | 未 | HL | 6 |
| 27.2 × 1.5 | 13.0 | 6.0 | 未 | HL | 6 |
| 32 × 1.5 | 16.0 | 8.0 | 未 | HL | 6 |
| 34 × 1.5 | 16.0 | 6.5 | 未 | HL | 6 |
| 38 × 1.5 | 20.0 | 9.5 | 未 | HL | 6 |
| 42.7 × 1.5 | 20.0 | 8.0 | 未 | HL | 6 |
| 48.6 × 1.5 | 22.5 | 9.0 | 未 | HL | 6 |
| 50 × 1.5 | 22.5 | 9.0 | 未 | HL | 6 |
| 60.5 × 2.0 | 26.0 | 10.0 | 未 | HL | 6 |
| 76.3 × 2.0 | 30.0 | 10.0 | 未 | HL | 6 |
| 89.1 × 2.0 | 32.0 | 11.5 | 未 | HL | 6 |
| 101.6 × 2.0 | 35.0 | 12.5 | 未 | HL | 6 |
| 114.3 × 2.0 | 38.0 | 13.0 | 未 | HL | 6 |

半球キャップ SUS304

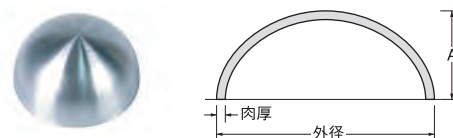
■単位：mm

| 外径×肉厚 | サイズ | | 研磨 | | |
|-------------|-------|--|----|----|---|
| | A | | 未 | HL | 6 |
| 25 × 1.5 | 12.5 | | 未 | HL | 6 |
| 27.2 × 1.5 | 13.6 | | 未 | HL | 6 |
| 32 × 1.5 | 16.0 | | 未 | HL | 6 |
| 34 × 1.5 | 17.0 | | 未 | HL | 6 |
| 38 × 1.5 | 19.0 | | 未 | HL | 6 |
| 42.7 × 1.5 | 21.3 | | 未 | HL | 6 |
| 48.6 × 1.5 | 24.3 | | 未 | HL | 6 |
| 50 × 1.5 | 25.0 | | 未 | HL | 6 |
| 60.5 × 2.0 | 30.2 | | 未 | HL | 6 |
| 76.3 × 2.0 | 38.1 | | 未 | HL | 6 |
| 89.1 × 2.0 | 44.5 | | 未 | HL | 6 |
| 101.6 × 2.5 | 50.8 | | 未 | HL | 6 |
| 114.3 × 2.5 | 57.1 | | 未 | HL | 6 |
| 139.8 × 3.0 | 69.9 | | 未 | HL | 6 |
| 165.2 × 3.0 | 82.6 | | 未 | HL | 6 |
| 216.3 × 3.0 | 108.1 | | 未 | HL | 6 |

キャップ



半球キャップ

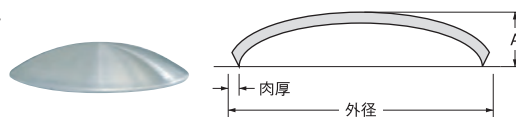


浅型キャップ SUS304

■単位：mm

| 外径×肉厚 | サイズ | | 研磨 | | |
|-------------|------|--|----|----|---|
| | A | | 未 | HL | 6 |
| 25 × 1.5 | 5.1 | | 未 | HL | 6 |
| 27.2 × 1.5 | 5.6 | | 未 | HL | 6 |
| 32 × 1.5 | 6.3 | | 未 | HL | 6 |
| 34 × 1.5 | 6.8 | | 未 | HL | 6 |
| 38 × 1.5 | 7.2 | | 未 | HL | 6 |
| 42.7 × 1.5 | 8.1 | | 未 | HL | 6 |
| 48.6 × 1.5 | 9.2 | | 未 | HL | 6 |
| 50 × 1.5 | 9.6 | | 未 | HL | 6 |
| 60.5 × 2.0 | 11.2 | | 未 | HL | 6 |
| 76.3 × 2.0 | 13.4 | | 未 | HL | 6 |
| 89.1 × 2.0 | 14.8 | | 未 | HL | 6 |
| 101.6 × 2.5 | 17.8 | | 未 | HL | 6 |
| 114.3 × 2.5 | 20.2 | | 未 | HL | 6 |

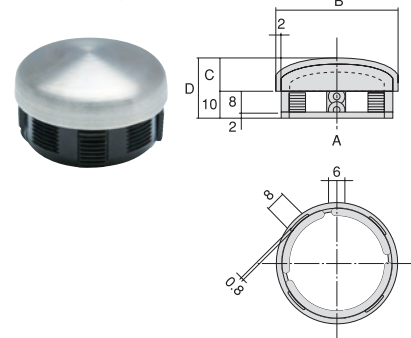
浅型キャップ



リードエンドキャップ2 (化粧パイプ差し込み式) SUS304 ■単位：mm

| 外径 | 化粧パイプ板厚 | サイズ | | | | 研磨 |
|------|------------|------|------|------|------|------|
| | | A | B | C | D | |
| 22 | 1.5t, 2.0t | 17.6 | 22.0 | 8.5 | 18.5 | HL 4 |
| 25 | 1.5t, 2.0t | 20.9 | 25.0 | 8.9 | 18.9 | HL 4 |
| 27.2 | 1.5t, 2.0t | 23.1 | 27.2 | 10.8 | 20.8 | HL 4 |
| 32 | 1.5t, 2.0t | 27.9 | 32.0 | 11.2 | 21.2 | HL 4 |
| 34 | 1.5t, 2.0t | 29.9 | 34.0 | 11.2 | 21.2 | HL 4 |
| 38 | 1.5t, 2.0t | 33.9 | 38.0 | 11.4 | 21.4 | HL 4 |
| 42.7 | 1.5t, 2.0t | 38.6 | 42.7 | 11.5 | 21.5 | HL 4 |
| 48.6 | 1.5t, 2.0t | 44.5 | 48.6 | 11.8 | 21.8 | HL 4 |
| 60.5 | 1.5t, 2.0t | 56.4 | 60.5 | 12.5 | 22.5 | HL 4 |

リードエンドキャップ2



※各サイズ化粧パイプ 1.5t、2.0t兼用です。
(アタッチメントの取り外しで2.0用となります。)